

HEAVY DUTY PUMPS

SUZZARABLUE AC PUMP


The Original

The careful analysis of the market and the experience of handling aggressive fluid, such as UREA, leads PIUSI to develop a new type of membrane pump equipped with electric motor without any dynamic seals. This solution allows to obtain a reliable industrial pump together with self priming capabilities.



Technical features:

Voltage 230 Volt
Hose tail connection 3/4"
Absence of dynamic seals
ON/OFF switch
2 mt cable with plug

Flow rate 35 l/min
Working pressure 1,3 BAR



New pumping system by means of membrane solution

SUZZARABLUE DC PUMP


The Original

It is also available a DC version, 12/24 Volt. The pump is especially designed for transferring UREA from drums, tanks, in situations where electricity connection is not available. The motor is equipped with a direct current battery, so that UREA transfer or dispensing operations can always be carried out.

Technical features:

Voltage 12 / 24 Volt
Hose tail connection 3/4"
Absence of dynamic seals
IN/OFF switch
2 mt cable with socket
Handle available



Flow rate 35 l/min
Max working pressure 1,3 BAR
Duty cycle 20 min

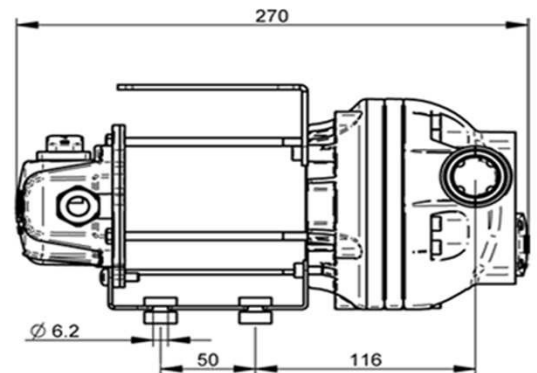
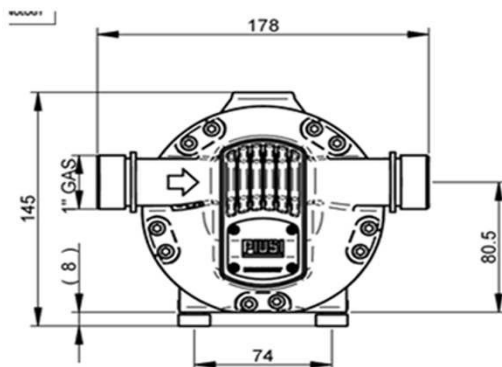
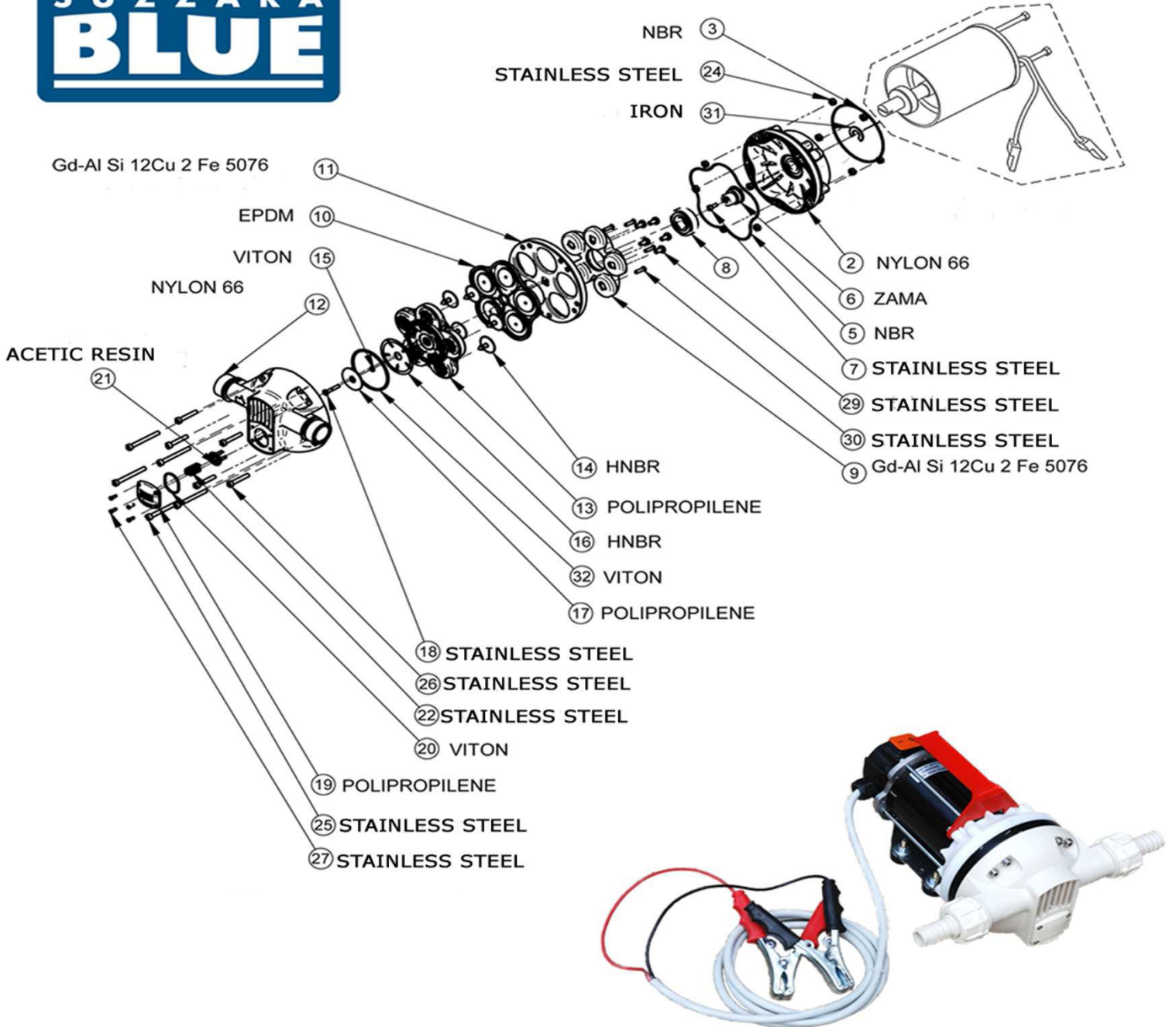


CODE	DESCRIPTION	ON / OF SWITCH	FLOW RATE	TENSION VOLT	Rpm	Watt	INLET / OUTLET	WEIGHT	PACKAGE DIMENSION
F00204000	SuzzaraBlue DC	Yes	35 l/min	12	2800	370	hose tail 3/4"	4 kg	20x35x25 cm
F00204010	SuzzaraBlue DC	Yes	35 l/min	24	2800	370	hose tail 3/4"	4 kg	20x35x25 cm
F00203010	SuzzaraBlue AC	Yes	35 l/min	230/50 Hz	2800	370	hose tail 3/4"	5 kg	20x35x25 cm

EXPLODED VIEW

SUZZARABLUE DC PUMP

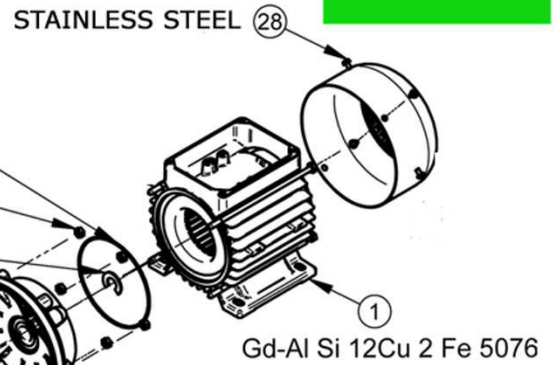
 *The Original*



EXPLODED VIEW

SUZZARABLU AC PUMP

 *The Original*



- NBR (3)
- STAINLESS STEEL (24)
- STAINLESS STEEL (31)

- (2) NYLON 66
- (6) ZAMA
- (5) NBR
- (7) STAINLESS STEEL
- (29) STAINLESS STEEL
- (30) STAINLESS STEEL
- (9) Gd-Al Si 12Cu 2 Fe 5076

- EPDM (10)
- VITON (15)
- NYLON 66 (12)
- ACETIC RESIN (21)
- (14) HNBR
- (13) POLIPROPILENE
- (16) HNBR
- (32) VITON
- (17) POLIPROPILENE
- (18) STAINLESS STEEL
- (26) STAINLESS STEEL
- (22) STAINLESS STEEL
- (20) VITON
- (19) POLIPROPILENE +30% Fibra Vetro
- (25) STAINLESS STEEL
- (27) STAINLESS STEEL

